

Overview

The JBE-2162 is an remote indicator light compatible with analog and conventional detectors that are installed in enclosed or concealed enclosures. The JBE-2162 connects to a detector and is intended to be installed outside the room or enclosure where the detector is located.

The JBE-2162 is surface-mountable, incorporates pre-machined tube inlet and high-brightness LEDs.

Technical Data

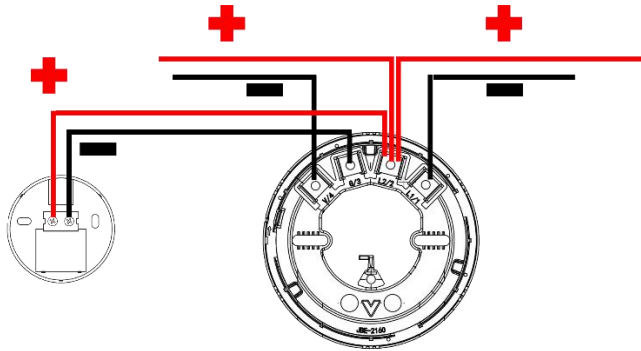
Working voltage	From 5 to 36V DC
Activation current	≤6 mA @36V DC ≤1.4 mA @5V DC
Wiring	Twisted pair, max. wiring gauge 2.5 mm ²
Working temp.	-10°C ~ +55°C
Environment	≤ 95% RH (40±2°C) (no condensation nor icing)

Dimensions	Ø69 x 25 mm
Weight	0.1 kg
IP Rating	IP40

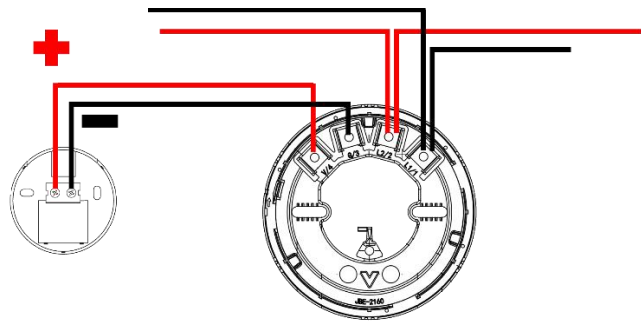
Installation

Always comply with local regulations regarding fire protection and electrical installations.

1. Secure the remote indicator base to the wall or ceiling.
2. Connect the wiring to the base according to the diagram below:



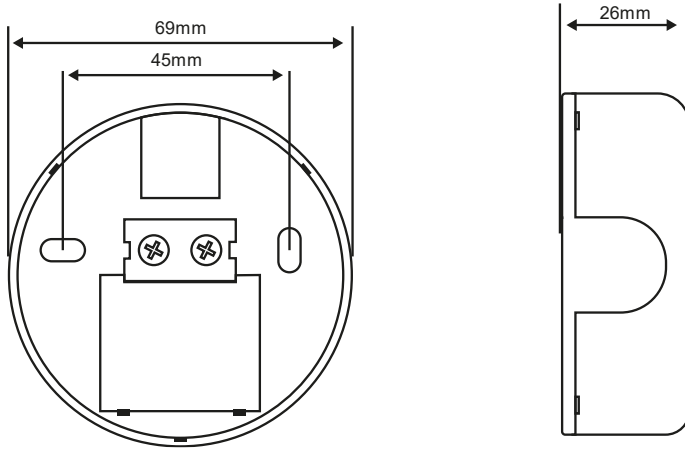
1 - Conventional detectors



2- Addressable detectors

3. Insert the remote indicator into its base and press firmly.
4. Test each remote indicator and its wiring after installation and periodically in accordance with local fire regulations.

Dimensions



All dimensions in mm

Regulations


Jade Bird Fire Alarm International (Europe), S.L. C. Tarragona, 157. 08014 Barcelona (Spain)
JBE-2162 <i>Remote indicator</i> Data sheet: see TF-JBE-2162-10 provided by the manufacturer.

Jade Bird Fire Alarm International (Europe), S.L.
C. Tarragona, 157. 08014 Barcelona (Spain)
W.Jathibeera.com.com

