

# BY-Z2145E

## Emergency Exit Signal



### Key Features

- Easy to install
- Multiple outlets
- Long battery life
- Safety and performance in accordance with IEC 60598-2-22
- CE Certificate

BY-Z2145E exit signal can be installed on walls. It is particularly suitable for interiors such as offices, schools, universities and hospitals but the IP protection grade makes the unit also suitable for outdoors. It incorporates a green LED indicator that shows battery charging mode. Safety and performance according to EN 55015, EN 61347, EN 60598-1, EN 60598-2-22, EN 61000-3-2, EN 61000-3-3. The built-in battery unit ensures an emergency operation period higher than 3 hours.

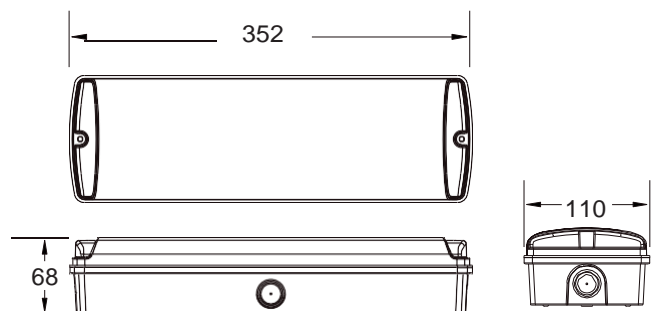
#### TECHNICAL DATA

Input	220-240 VAC - 50 Hz – 0,05A
Light source	27 x 0,2 watt white LED
Input power	4.5W
Luminous flux	> 140 Lumens
CCT	6500k
Power factor	0.52
Battery	Ni-Cd SC3.6V 1.5Ah
Discharge duration	>3h
Degree of protection	IP65
Case materials	Poly carbonate
Dimension (WxHxD)	352 mm x 110 mm x 68 mm
Weight	0.7 kg

#### Model List

Model No.	Operating mode	Direction
BY-Z2145E-M	Maintained	Right, Left, Down
BY-Z2145E-N	Non-Maintained	Right, Left, Down

Mechanical dimensions (all dimensions in mm)



Installation

Figure 1

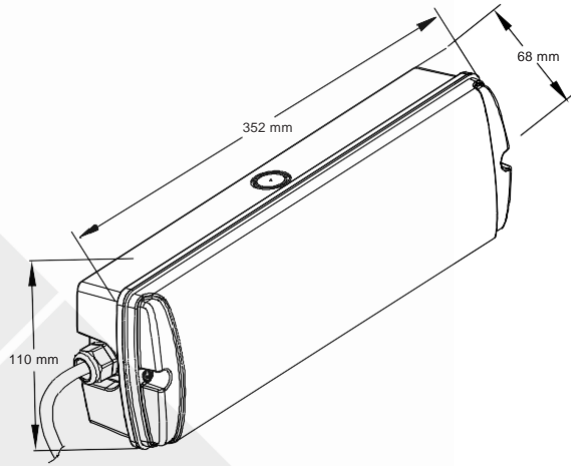


Figure 2

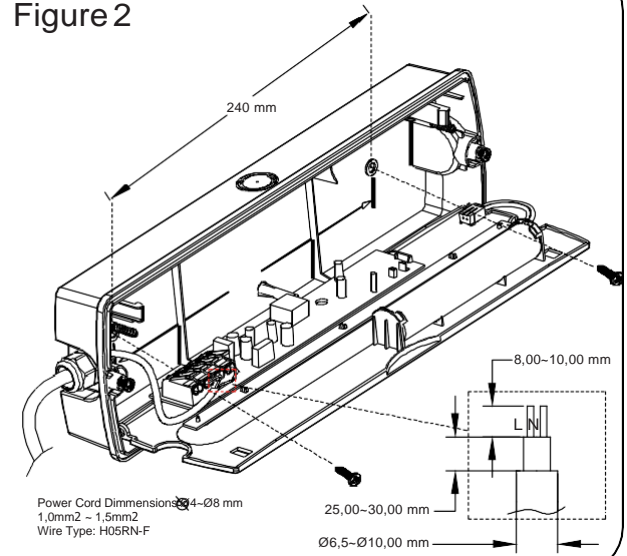


Figure 3

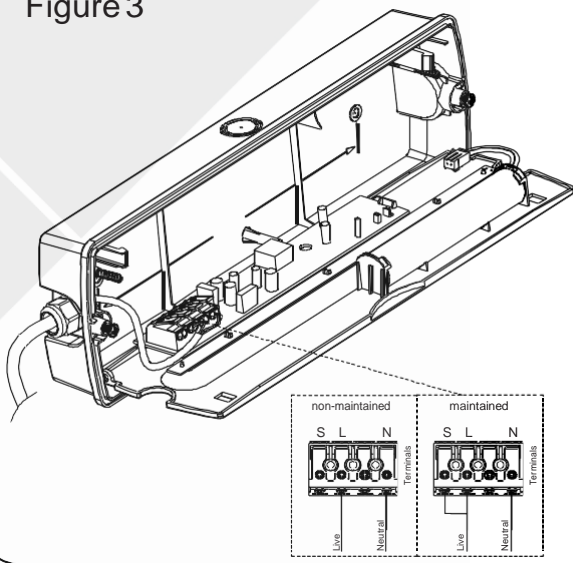


Figure 4

