

BY-B2136E

Emergency Exit Signal



Key Features

- Modular structure configuration
- No stroboscopic, no radiation
- Easy and flexible mounting
- Safety and performance in accordance with IEC 60598-1/IEC 60598-2-22
- CE Certificate

TECHNICAL DATA

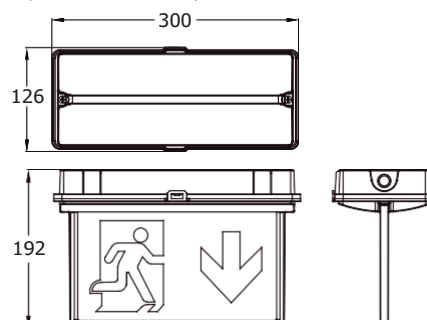
Input	220-240 VAC - 50 Hz – 0,06A
Light source	18 pcs x SMD 2835
Viewing distance	24 meters
Input power	5.5W
Emergency power	2.0W
Luminance flux	> 50 Lumens
Emerg. luminance flux	> 50 Lumens
CCT	6500k
Battery	Ni-Cd SC3.6V 1.5Ah
Discharge duration	> 3 hours
Degree of protection	IP65
Case materials	Poly carbonate
Dimension (WxHxD)	335 mm x 155 mm x 197 mm
Weight	0.88 kg

Model List

Model No.	Operating mode	Direction
BY-B2136E	Maintained	Down

BY-B2136E exit signal can be installed on ceilings. It is particularly suitable for outdoors such as offices, schools, universities and hospitals. It incorporates a green LED indicator that shows battery charging mode. Safety and performance according to EN 55015, EN 61347, EN 60598-1, EN 60598-2-22, EN 61000-3-2, EN 61000-3-3. The built-in battery unit ensures an emergency operation period higher than 3 hours.

Mechanical dimensions (all dimensions in mm)



Installation

